

GP Soap Shooter

Shoots Soap Up To 3 Stories!

SPECIFICATIONS



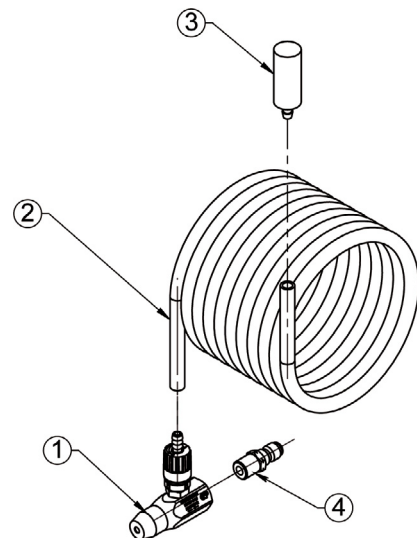
Part Number	Nozzle Size
100169	#3.5
100145	#4.0
100146	#4.5
100147	#5.0
100181	#6.0
101012	#7.0

FEATURES

- For use with lance or extension wand
- Adjustable chemical feature
- Chemical can be stopped
- 5000 PSI maximum
- Chemical does not go through pump
- Attaches to QC on lance or extension wand
- Stainless Steel
- Includes:
30 foot hose
filter
nozzle

PARTS LIST

No.	Part No.	Description	Qty.
1	100170	Chemical injector, Long Dist., #3.5 (100169)	1
	100958	Chemical injector, Long Dist., #4.0 (100145)	1
	100959	Chemical injector, Long Dist., #4.5 (100146)	1
	100960	Chemical injector, Long Dist., #5.0 (100147)	1
	100961	Chemical injector, Long Dist., #6.0 (100181)	1
	101011	Chemical injector, Long Dist., #7.0 (101012)	1
2	D40011FT	Hose, 1/4" ID, Vinyl, Clear	1
3	D40006	Filter, Chemical, No Check	1
4	520134	Nipple, 1/4" QD x 1/4" NPT-M	1



OPERATING INSTRUCTIONS

CAUTION:

Do not point the Soap Shooter at any part of body as serious injury may occur.

WARNING:

The Soap Shooter can damage soft materials such as wood. Start at safe distance from surface or reduce pump pressure.

STEP 1

Attach the Soap Shooter to gun or lance.

STEP 2

Attach one end of hose to Soap Shooter hose barb and insert other end into soap mixture. Be sure the filter is on the tube end that's in the soap.

STEP 3

Adjust soap concentration with knob on Soap Shooter.

STEP 4

Point Soap Shooter and surface and pull gun trigger.

