

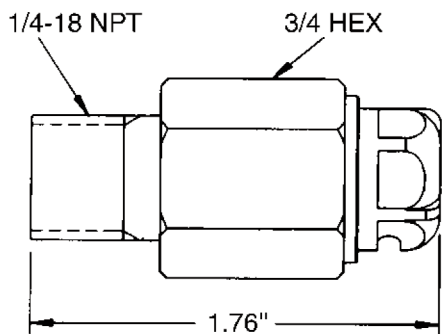


FEATURES/BENEFITS

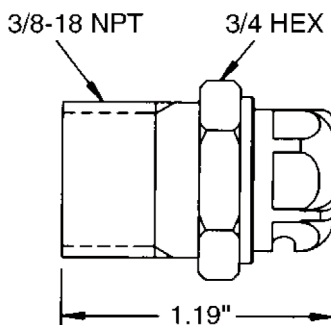
- Protects pump from overheating
- Smallest thermal valve on the market
- Most durable and repeatable design available
- Cap design allows flow to be diverted as desired
- Can be mounted in pump manifold, inlet water supply or bypass loop plumbing. Location of the valve may alter the cycling pattern of the PTP, but will not diminish its operation

SPECIFICATIONS

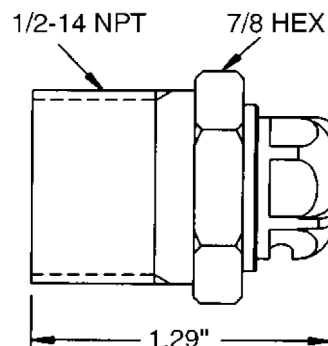
| | | |
|--------------------|---|---------|
| Part Number: | 1/4-NPT | 100512 |
| | 3/8-NPT | 100513 |
| | 1/2-NPT | 100514 |
| Temperature Relief | 145° F | |
| Weight: | 100512 | 2.0 oz. |
| | 100513 | 1.0 oz. |
| | 100514 | 2.0 oz. |
| Dimensions: | See Below | |
| Materials: | Brass, Stainless Steel, Buna-N, Plastic | |



100512



100513



100514



General Pump
is a member of
the Interpump Group

Ref 300047 Rev C
11-09



GENERAL PUMP

GENERAL PUMP • 1174 Northland Drive • Mendota Heights, MN 55120

Phone: (651)686-2199 • Fax: (800)535-1745 • email: sales@gpcompanies.com • www.generalpump.com