



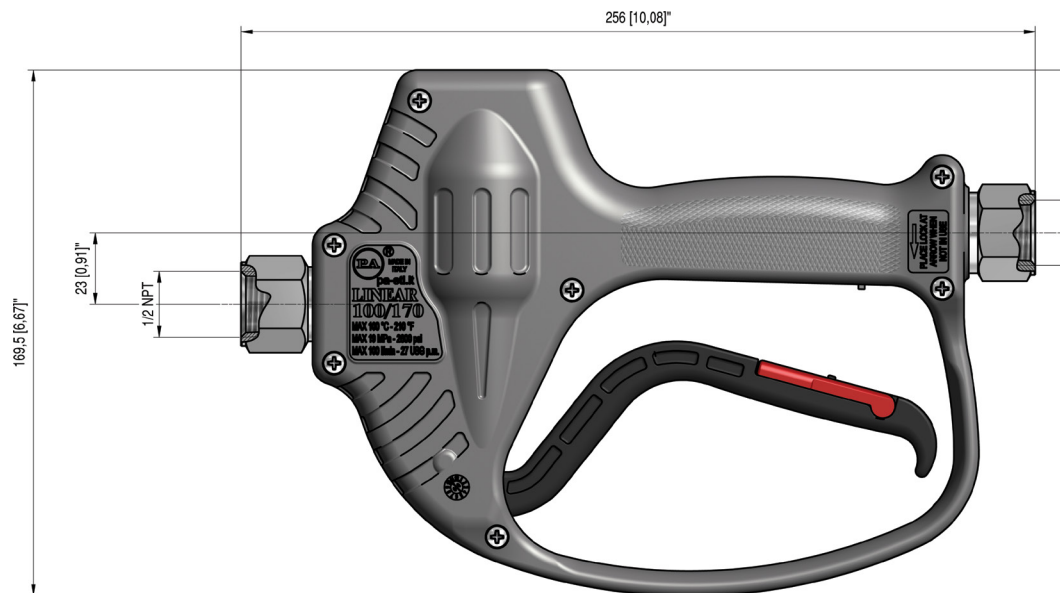
FEATURES

- Shockproof plastic housing
- Ergonomic design
- Internal construction of brass and Stainless Steel
- Minimizes fatigue for the operator

SPECIFICATIONS

Part Number	YG2527S
Max Volume	27 GPM
Rated Discharged Pressure	2,500 PSI
Max Discharged Pressure	2,800 PSI
Max Fluid Temperature	195° F
Inlet Port Thread	1/2" NPT-F
Discharge Port Thread	1/2" NPT-F
Weight	2.68 lbs
Dimensions	10.08" x 6.68" x 1.2"
Materials	Stainless Steel, Brass, Plastic, Viton

DIMENSIONS



General Pump is a member of the Interpump Group

Ref 300980 Rev. B
09-18



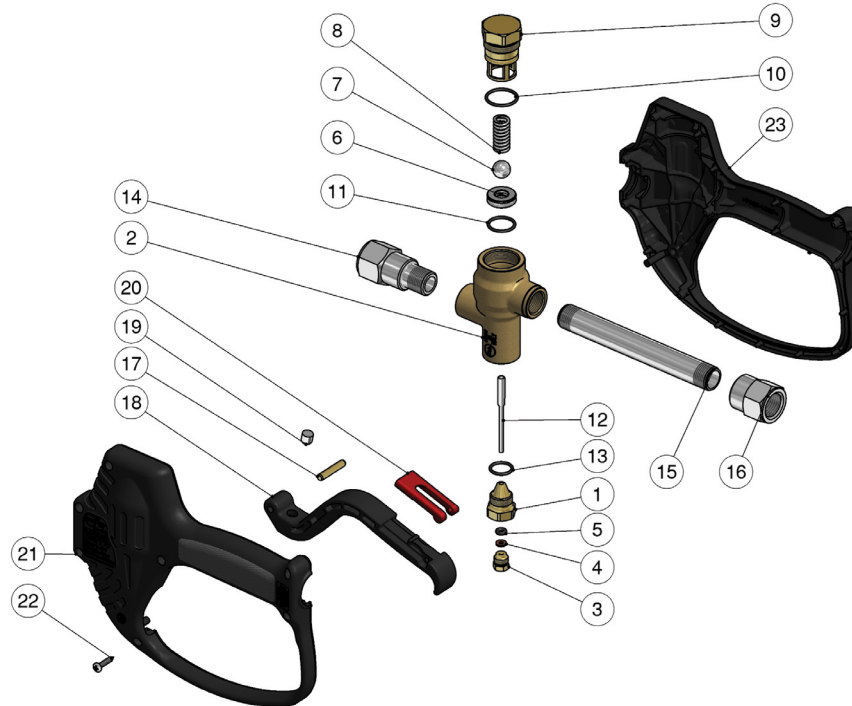
YG2527S

Straight, Rear Entry Spray Gun

GENERAL PUMP

A member of the Interpump Group

PARTS LIST



No.	Part No.	Description	Qty
1	Y30320331	Plug, M16 x 1, Brass	1
2	Y30065135	Housing	1
3	Y30411531	Front Plug, M10 x 1, Brass	1
4	Y10401800	Back-up Ring, 3.2 x 7.5 x 1.2 mm	1
5	Y10316500	O-ring, 2.62 x 2.84 mm, Vi70	1
6	Y30530851	Seat, SST	1
7	Y14746500	Ball, 1/2", SST	1
8	Y30530451	Spring, 2 x 29 x 9.9 mm, SST	1
9	Y30320531	Spring Plug, M26 x 1, Brass	1
10	Y10307201	O-ring, 1.78 x 20.35 mm	1
11	Y10306801	O-ring, 1.78 x 17.17 mm	1

No.	Part No.	Description	Qty
12	Y30065451	Plunger, SST, D 0.5 x l 0.63	1
13	Y10306401	O-ring, 1.78 x 14 mm	1
14	Y30065251	Coupling, 1/2" NPT-F, SST	1
15	Y30510456	Tube, M 18 x 1.5, SST	1
16	Y30065351	Coupling, 1/2" NPT-F, SST	1
17	Y30251731	Parallel Pin, 5 x 27.5 mm, Brass	1
18	Y30530484	Trigger, Black	1
19	Y30225551	Stop Pin, 8 x 7.5 mm, SST	1
20	Y30151084	Safety Latch, Red	1
21	Y30065724	Casing, Kit & SST Screws	1
22	Y16307551	Self Tapping Screw, 3.5 x 18 mm, SST	7

INSTRUCTIONS

This product is to be used with clean, fresh water. For use involving different or corrosive liquids, contact your GP's customer service department. Appropriate filtration should be installed when using unclean liquids. Choose the gun that most closely matches the rated pressure, max flow and max temperature of the pressure wash system. In any case, the pressure of the machine should not exceed the permissible pressure rate imprinted on the gun.

INSTALLATION

This gun was designed to operate with hot water (in compliance with the technical specs), making sure not to exceed the max temperature. Always fit a safety valve to protect the system when the latter is under pressure. Choose a suitable nozzle and adjust the valve mounted in the front of the gun, thus obtaining a constant supply and avoiding unwanted pressure spikes. If the nozzle wears out, the pressure falls. When you install a new nozzle, adjust the system back to the original pressure.

OPERATION

The gun opens and closes a high pressure conduct by means of a piston acting on a seat; the return is controlled by a spring which releases the trigger. Attention: during pump activation ALWAYS set the gun with its safety latch connected in order to prevent accidental openings.