

**GENERAL PUMP** *A member of the Interpump Group*

# GP FLOW SWITCH

## 101069



101069

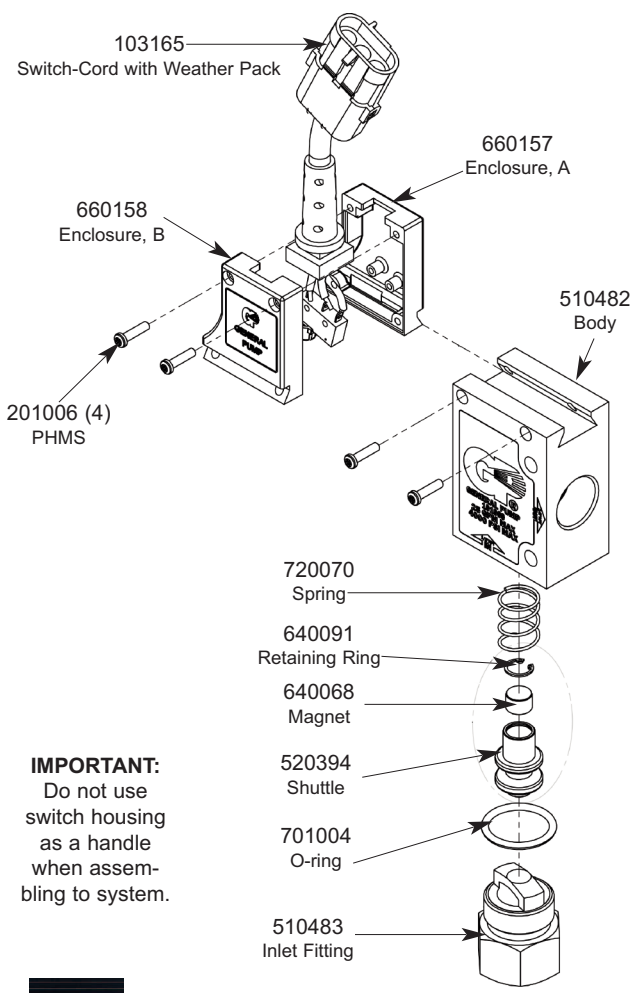
**FEATURES**

- Micro-switch technology eliminates reed switch
- Activation below 4.0 GPM
- Minimal pressure drop up to 25 gpm flow
- Mount in vertical position
- 3-way black weather pack shroud, sealed male connector

**SPECIFICATIONS**

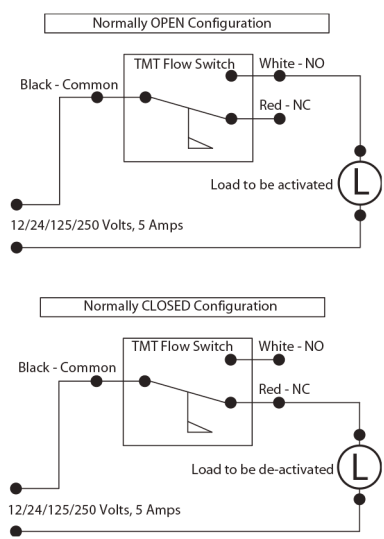
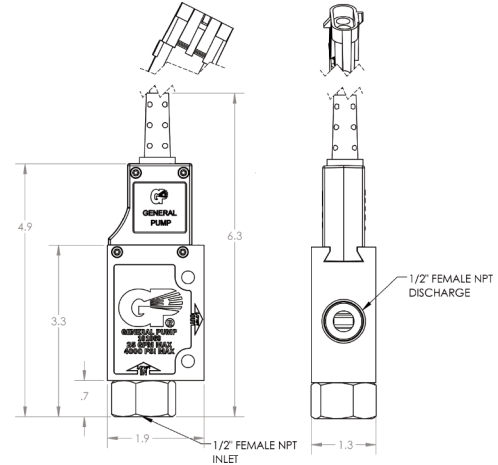
|   |   |            |
|---|---|------------|
| <b>Part Number</b>                          | <b>101069</b>                                   |            |
| <b>Maximum Operating Pressure</b>           | 3,000 PSI@25 GPM<br>4,000 PSI@10 GPM            |            |
| <b>Minimum Flow Required for Activation</b> | 4.0 GPM @ 50 PSI                                |            |
| <b>Maximum Operating Flow</b>               | 25.0 GPM  |            |
| <b>Operating Temperature Range</b>          | 40 - 180 °F                                     |            |
| <b>Electrical Lead Length</b>               | 12" - 18AWG                                     |            |
| <b>Switch Ratings</b>                       | Max Switching Voltage                           | 250 VAC    |
|   | Max Switching Current                           | 5 AMPS     |
|   | Resistance with Leads                           | 30 OHM     |
| <b>Ports</b>                                | Inlet   | 1/2" NPT-F |
|   | Outlet  | 1/2" NPT-F |
| <b>Dimensions</b>                           | 6.3" x 2.0" x 1.3                               |            |
| <b>Weight</b>                               | 1.85 LBS  |            |
| <b>Materials</b>                            | Buna-N, Brass, Plastic, Nickel-plated Neodymium |            |

**EXPLODED VIEW**



**IMPORTANT:**  
Do not use switch housing as a handle when assembling to system.

**DIMENSIONS AND WIRING SCHEMATIC**



**GENERAL PUMP** 1174 Northland Drive • Mendota Heights, MN 55120  
Phone: 651.686.2199 • Fax: 800.535.1745 • e-mail: sales@gpcompanies.com • www.generalpump.com



Ref 310029 Rev. B  
07-16