

Hi-Lo Pressure Nozzle w/variable angle

NOZZLES & BRUSHES

NOZZLES & BRUSHES

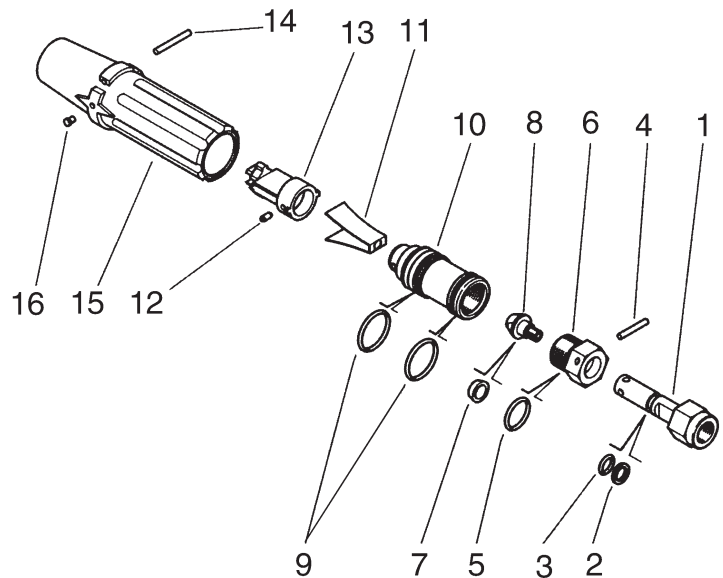


SPECIFICATIONS

Part Number:	YHILO__*
*Example: YHILO110 is with a Ø1.10mm nozzle	
Maximum Discharge Pressure	2800 PSI
Maximum Temperature	190°F
Port Size	1/4"-BSP-19-F
Dimensions	Ø1.4" x 4.5" long
Weight	.5 lb.
Materials	Plastic, Brass, Stainless Steel, Viton

PARTS LIST

Item	Part Num.	Description	Kit	Qty
*	YKITHILO	REPAIR KIT	*	
1.	Y25101631	Pin		1
2.	Y10400800	Back Ring	*	1
3.	Y10305500	O-Ring	*	1
4.	Y15103600	Pin		1
5.	Y10306600	O-Ring	*	1
6.	Y25101731	Fitting		1
7.	Y10201800	Seal	*	1
8.		Nozzle (see chart)		1
9.	Y10307200	O-Ring		2
10.	Y25101531	Case		1
11.	Y25102053	Spring	*	1
12.	Y15101800	Pin		2
13.	Y25101984	Angle Regulator	*	1
14.	Y15104100	Pin		1
15.	Y25101884	Cover		1
16.		Plastic Plug, Color-coded		1



NOZZLE CHART

Nozzle No.	Ø Size	500 PSI	1000 PSI	1500 PSI	2000 PSI	2500 PSI	3000 PSI
Y25103323	1.0 mm	0.77	1.09	1.33	1.54	1.72	1.89
Y25102123	1.1 mm	0.93	1.32	1.61	1.86	2.08	2.28
Y25102223	1.2 mm	1.11	1.57	1.92	2.22	2.48	2.72
Y25102323	1.3 mm	1.30	1.84	2.25	2.60	2.91	3.19
Y25102423	1.4 mm	1.51	2.13	2.61	3.02	3.37	3.70
Y25102523	1.5 mm	1.73	2.45	3.00	3.46	3.87	4.24
Y25102751	1.6 mm	1.97	2.79	3.41	3.94	4.41	4.83
Y25102851	1.7 mm	2.22	3.15	3.85	4.45	4.97	5.45
Y25103251	1.8 mm	2.49	3.53	4.32	4.99	-	-
Y25103151	1.9 mm	2.78	3.93	4.81	-		

Gallons Per Minute (GPM)

