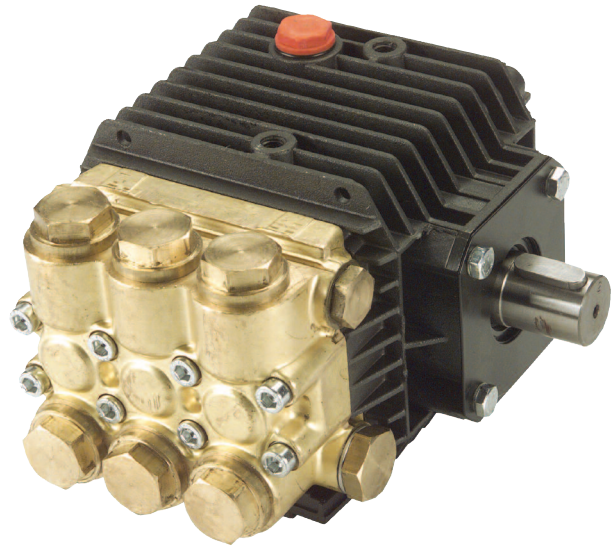


FEATURES

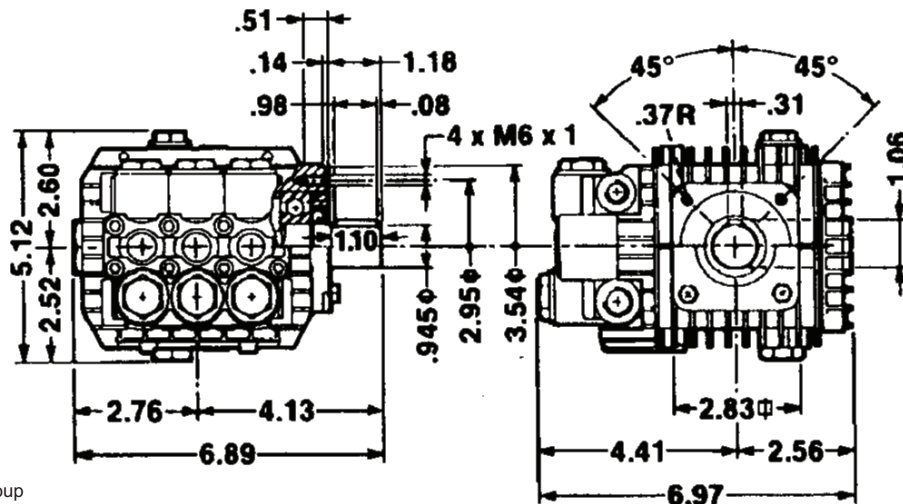
- Forged brass manifold with exclusive lifetime warranty
- Die-cast anodized aluminum, oil-bath crankcase
- Solid ceramic plungers with continuously lubricated packings
- The original Interpump unitized, stainless steel, K01 inlet and outlet valves
- Ideal for all general cleaning applications
- Comes standard with 24 mm solid shaft for pulley or direct drive with flex coupler and bell housing
- Also available in "L" left-handed versions



SPECIFICATIONS

Pump Model	TP2021S17	TP2024S17	TP2032S17
Maximum Volume	2.1 GPM	2.4 GPM	3.2 GPM
Maximum Discharge Pressure	2500 PSI	2000 PSI	
Maximum Pump Speed	1750 RPM		
Maximum Inlet Pressure	125 PSI		
Maximum Inlet Vacuum	3 ft. water (2.6 Hg)		
Bore	.591 in. / 15 mm	.709 in. / 18 mm	
Stroke	.370 in. / 9.4 mm	.283 in. / 7.2 mm	.370 in. / 9.4 mm
Crankcase Oil Capacity	11.2 oz.		
Maximum Fluid Temperature	165° F		
Inlet Port Thread	3/8"-19 BSPP-F		
Discharge Port Thread	1/4"-19 BSPP-F		
Shaft Diameter	.945 in. / 24 mm		
Weight	11.2 lbs.		
Dimensions	7.0" x 6.9" x 5.1"		

DIMENSIONAL DRAWING



TRIPLEX

TRIPLEX

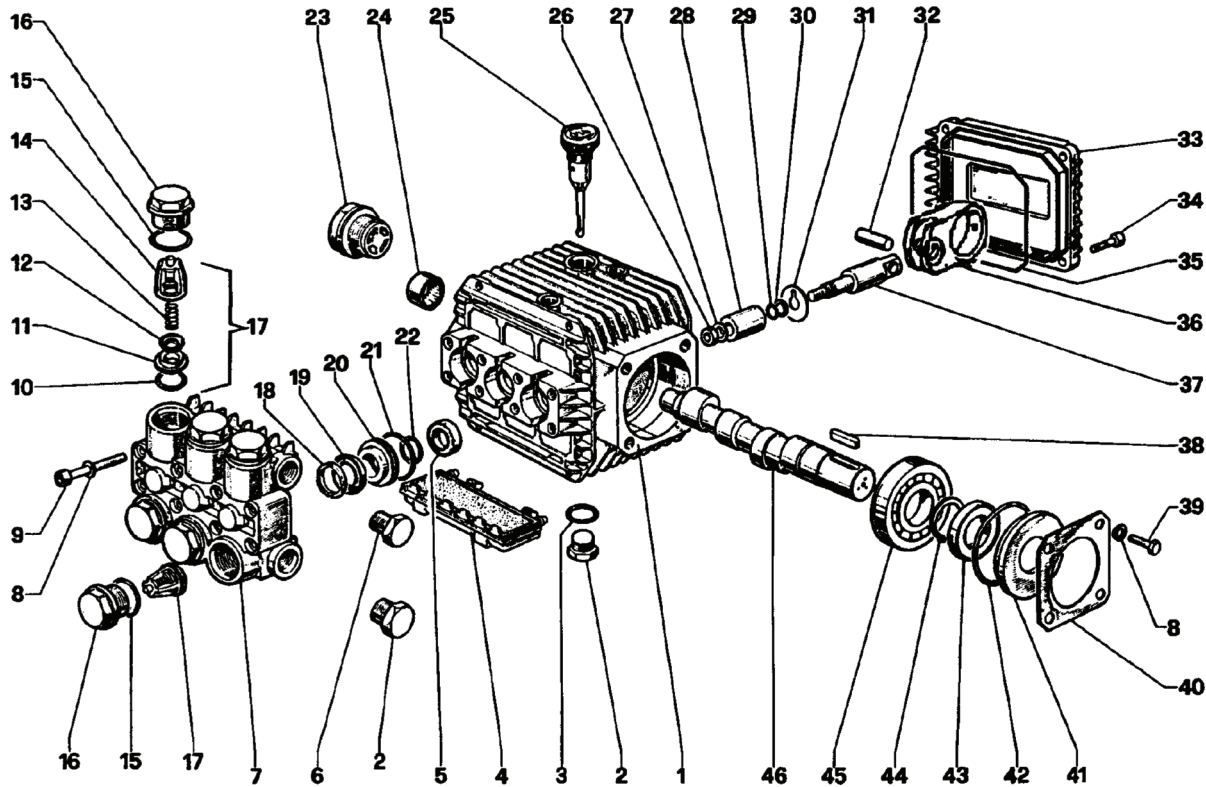


General Pump
is a member of
the Interpump Group



TP Series 51, Solid Shaft

GENERAL PUMP *A member of the Interpump Group*



PARTS LIST

ITEM	PART NO.	DESCRIPTION	KIT NO.	QTY.	ITEM	PART NO.	DESCRIPTION	KIT NO.	QTY.	ITEM	PART NO.	DESCRIPTION	KIT NO.	QTY.
1.	51010622	Crankcase		1	18.	51100051	Head Ring, 15mm	96, 97	3	30.	90502200	Back-up Ring		3
2.	98210000	Plug, 3/8-BSPP		2		51100151	Head Ring, 18mm	140, 141	3	31.	96707000	Washer, Flinger		3
3.	90383300	O-ring, .549 x .103		1	19.	90262000	Packing 15mm	96, 97	3	32.	97371000	Connecting Rod Pin		3
4.	51209102	Protector		1		90268100	Packing, 18mm	140, 141	3	33.	51160022	Crankcase Cover		1
5.	90156500	Oil Seal	83	3	20.	51080070	Packing Retainer	86, 96	3	34.	99186700	Screw		4
6.	98204100	Plug		1		51080370	Pack. Retainer, 18mm	139,140	3	35.	90391700	Cover O-ring		1
7.	51120041	Manifold, Brass, 15mm		1	21.	90360400	O-ring, .989 x .07086	96, 97	3	36.	51030122	Connecting Rod		3
	51120441	Manifold, Brass, 18mm		1			O-ring, 18mm	139,140,141	3	37.	51050056	Plunger Rod		3
8.	96693800	Washer, M6.4, Schnorr		8	22.	90383500	O-ring, .594 x .103	86, 96, 97	3	38.	91484800	Key		1
9.	99194300	Screw, M6 x 40		8		90384300	O-ring, 18mm	139,140,141	3	39.	99180700	Screw		4
10.	90384100	O-ring, .674 x .103		123	6	23.	97596800	Sight Gauge	1	40.	50150074	Retainer		1
11.	36200366	Valve Seat		123	6	24.	91801500	Needle Bearing	1	41.	50211551	Spacer		1
12.	36200176	Valve Plate		123	6	25.	98210300	Oil Dip Stick	1	42.	90409700	O-ring		1
13.	94737600	Spring		123	6	26.	92221600	Nut, M8	3	43.	90163400	Oil Seal		1
14.	36202551	Valve Cage		123	6	27.	96700800	Washer, M8	3	44.	90063500	Snap Ring		1
15.	90384700	O-ring, .797 x .103		6	28.	51040009	Plunger, 15 mm	3	45.	91832900	Bearing		1	
16.	98221800	Valve Cap		6		51040166	Plunger, 18 mm	3	46.	51020165	Crankshaft		1	
17.	36711501	Valve Assembly		123	6	29.	90357200	O-ring, .208 x .070	3		51021765	Crankshaft (TP2024)		1

REPAIR KITS

KIT NO.	83	86 (15mm)	96 (15 mm)	97 (15mm)	123	139 (18mm)	140 (18mm)	141 (18mm)
ITEM NO's INCLUDED IN KIT	5	20, 21, 22	18, 19, 20, 21, 22	18, 19, 21, 22	6, 7, 8, 10, 11, 12 (17)	20, 21, 22	18, 19, 20, 21, 22	18, 19, 21, 22
NUMBER OF ASSEMBLIES IN KIT	3	3	1	3	6	3	1	3
NUMBER OF CYLINDERS KIT WILL SERVICE	3	3	1	3	3	3	1	3

TORQUE SPECS*

Position	Ft. Lbs.	Nm
2	29.4	40
6	14.7	20
9	8.8	12
16	33.1	45
23	13.2	18
26	11.0	15
34	7.3	10
39	7.3	10

* Decrease torque by 20% if threads are lubricated

