

**FEATURES**

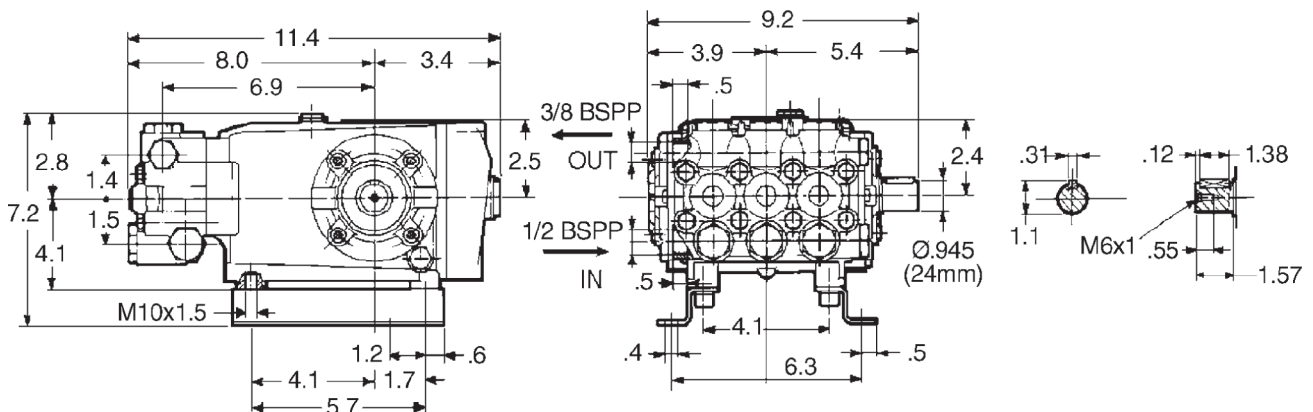
- The preferred pump frame in the pressure cleaning industry
- Forged brass manifold with an exclusive lifetime warranty
- Large-capacity, die-cast, anodized aluminum oil-bath crankcase
- Over-sized connecting rods for maximum life
- Heavy-duty tapered roller bearing
- Solid ceramic plungers with continuously lubricated packings
- Unitized stainless steel inlet and discharge valves
- Available in left-handed "L" version



**SPECIFICATIONS**

Pump Model	CW24
Maximum Volume	5.0 GPM
Maximum Discharge Pressure	2500 PSI
Maximum Pump Speed	1250 RPM
Maximum Inlet Pressure	125 PSI
Plunger Bore	.787 in. / 20 mm
Plunger Stroke	.630 in. / 16 mm
Crankcase Oil Capacity	33.8 oz.
Maximum Fluid Temperature	165° F
Inlet Port Thread	1/2-14 BSP-F
Discharge Port Thread	3/8-19 BSP-F
Shaft Diameter	.945 in. / 24 mm
Weight	30 lbs.
Dimensions	11.4" x 9.2" x 7.2"

**DIMENSIONAL DRAWING**



TRIPLEX

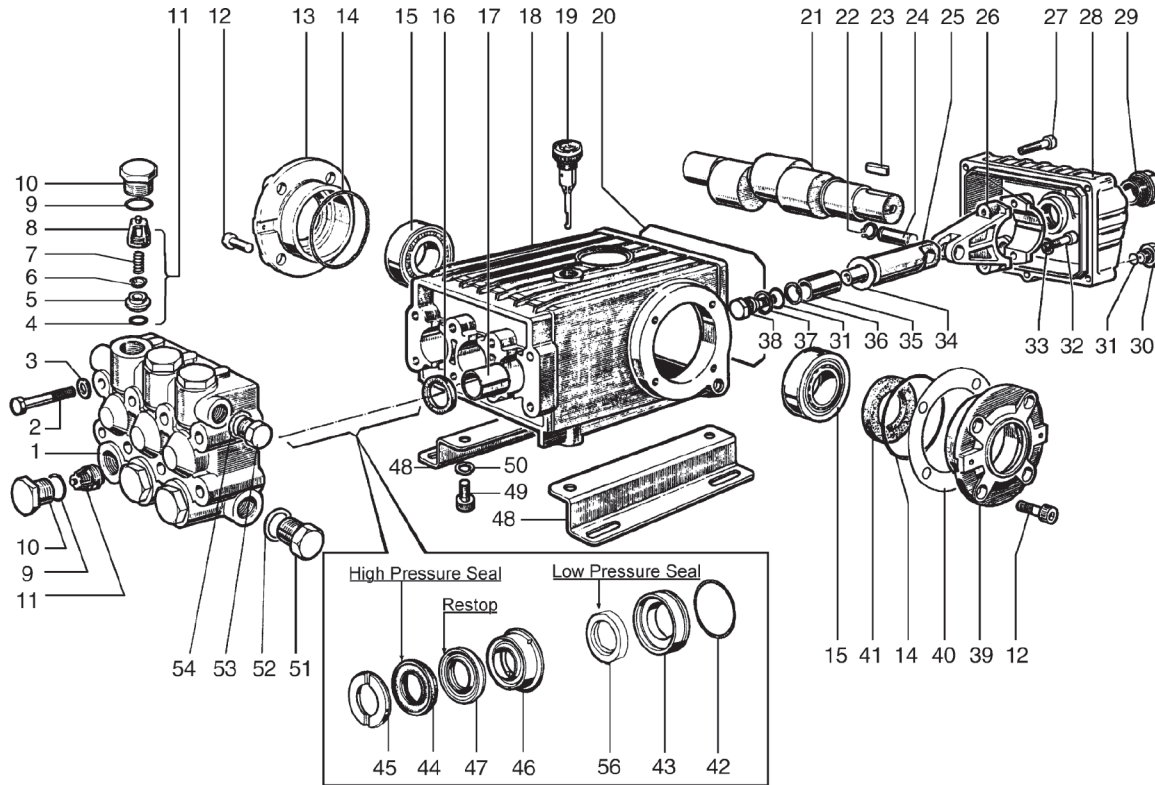
TRIPLEX



General Pump is a member of the Interpump Group

Ref 300325 Rev. D  
06-16





**PARTS LIST**

ITEM	PART NO.	DESCRIPTION	QTY.	ITEM	PART NO.	DESCRIPTION	QTY.	ITEM	PART NO.	DESCRIPTION	QTY.
1.	47121741	Manifold	1	20.	47211984	Cover, Gasket	1	39.	47150022	Cover, Crankcase	2
2.	99320600	Screw, M8 x 70	8	21.	47020035	Crankshaft	1	40.	97567800	Shim	2
3.	96702000	Washer, M8.4	8	22.	90055700	Ring, Snap, M12	6	41.	90164800	Seal, Oil	2
4.	701115	O-ring, .674 x .103	8	23.	91489000	Key	1	42.	90361600	O-ring, 1.364x.070	3
5.	36200366	Seat, Valve	6	24.	97738000	Pin, Wrist	3	43.	47080970	Retainer, Packing	3
6.	36200176	Plate, Valve	6	25.	47050454	Guide, Plunger	3	44.	90270500	Seal, High Pressure	3
7.	94737600	Spring	6	26.	47030001	Connecting Rod	3	45.	47100051	Ring, Head, M20	3
8.	36200251	Guide, Valve	6	27.	99183700	Screw, M6x14	5	46.	47216970	Intermed. Ring	3
9.	701002	O-ring, .797x.103	6	28.	47160022	Cover, Crankcase	1	47.	90270400	Restop Ring	3
10.	98222800	Cap, Fine Thread	6	29.	97596800	Oil Indicator	1	48.	47200074	Pump Feet	2
11.	36703201	Valve Assembly	6	30.	98204100	Cap	1	49.	99364400	Screw, M10 x 18	4
12.	99303900	Screw, M8 x 16	8	31.	701013	O-ring, .426x.070	4	50.	96710600	Washer, M10.2	4
13.	47150122	Cover, Crankcase Side	1	32.	99309900	Screw, M8 x 35	6	51.	98217600	Cap	1
14.	701147	O-ring, 2.675x.103	2	33.	96701400	Washer, M8.4	6	52.	96751400	Washer, M21.5	1
15.	640047	Bearing, Roller	2	34.	96728600	Washer, M14	3	53.	98210000	Cap	1
16.	90162500	Seal, Oil	3	35.	47040409	Plunger, 20 mm	3	54.	96738000	Washer, M17.5	1
17.	90912600	Bushing	3	36.	660067	Ring, Back-up	3	56.	90269400	Seal, Low Press	3
18.	47010422	Crankcase	1	37.	96728000	Washer	3				
19.	98210600	Oil Dip Stick	1	38.	47219566	Screw, Plunger	3				

Optional

190160	Rail & Coupler Kit (310)	1
190161	Rail & Coupler Kit (530)	1

**REPAIR KITS**

**TORQUE SPECS\***

KIT NO.	K01	K02	K03	K04	K06	K07	K71	K969	K9101A	K910	Pos.	Ft/lb	N-M
											2	22.1	30
10	95.9	130											
12	14.7	20											
27	7.3	10											
29	8.8	12											
30	14.7	20											
32	14.7	20											
38	14.7	20											
49	29.4	40											
51	29.4	40											

\* Decrease torque by 20% if threads are lubricated

Ref 300325 Rev. D  
06-16

