



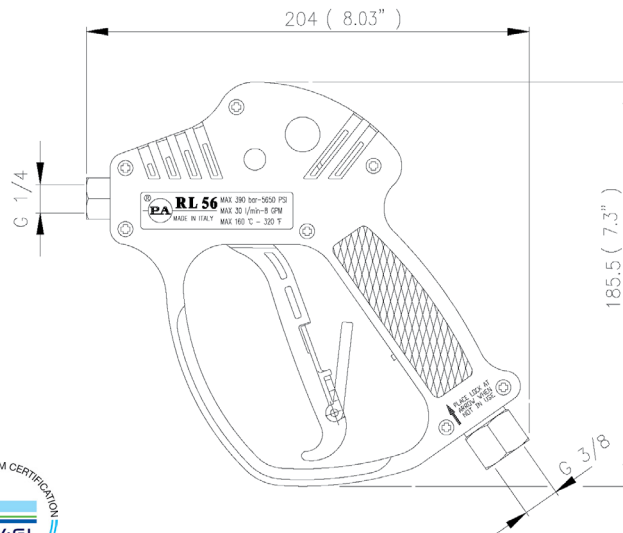
FEATURES

- Shockproof plastic housing
- Sturdy construction of Stainless Steel and Brass
- Ergonomic construction
- New trigger design guarantees mobility and steadiness
- Minimum load loss
- Minimum fatigue when operating

SPECIFICATIONS

Part Number	YRL56	
Max Volume	8.0 GPM	
Rated Pressure	5100 PSI	
Max Pressure	5650 PSI	
Max Temp	320° F	
Port Size	Inlet:	3/8" NPT-F
	Outlet:	1/4" NPT-F
Dimensions	8.0" x 7.3" x 2.0"	
Weight	1.5 lbs	
Material	Stainless Steel, Brass, Plastic, Buna-N, Teflon	

DIMENSIONS



YRL56

Rear Entry Spray Gun

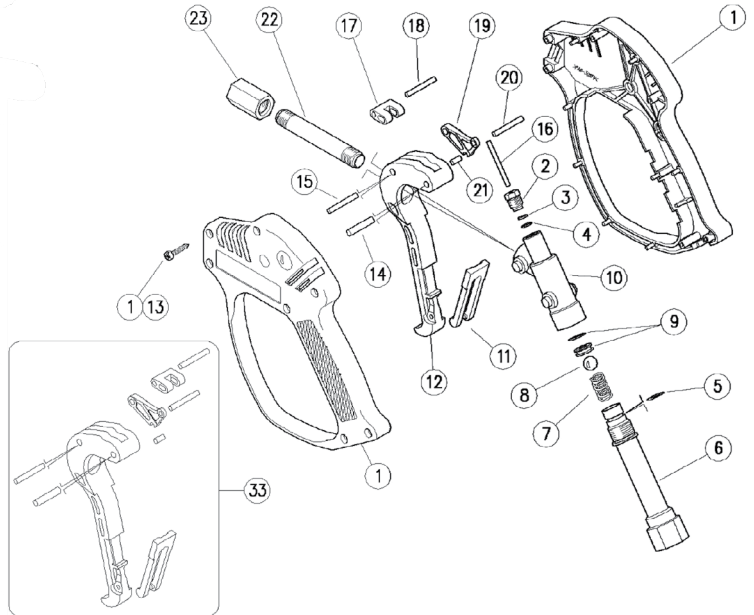
GENERAL PUMP

A member of the Interpump Group

PARTS LIST

No.	Part No.	Description	Kit	Qty.
1.	Y30452624	Casing Kit		1
2.	Y30411531	Front Plug, M10 x 1, Brass		1
3.	Y10401800	Back-up ring, 3.2x7.5x1.2 mm	*	1
4.	Y10316500	O-ring, 2.62x2.84 mm, Viton	*	1
5.	Y10306001	O-ring, 1.78x12.42 mm, Nickel	*	1
6.	Y30411935	Inlet Housing, 3/8" NPT-F		1
7.	Y30410851	Spring, 1.6x8.8x24 mm, SST		1
8.	Y14744310	Ball, 11/32" SST	*	1
9.	Y30201420	Seat, 6mm SST = Oring, 1.78mm	*	1
10.	Y30410535	Housing, Brass		1
11.	Y30151084	Safety latch, red		1
12.	Y30412784	Trigger		1
13.	Y16307700	Screw, 3.5x18mm		7
14.	Y30411451	Parallel Pin, 5x33mm, SST		1
15.	Y30412151	Parallel Pin, 5x22mm SST		1
16.	Y30410951	Piston, 3x37.6mm, SST	*	1
17.	Y30410484	Connecting Rod		1
18.	Y30411351	Parallel Pin, 4x29mm, SST		1
19.	Y30412484	Connecting Rod		1
20.	Y30411251	Parallel Pin, 4x20mm, SST		1
21.	Y30412251	Parallel Pin, 4x13mm, SST		1
22.	Y30411056	Front Tube		1
23.	Y30450931	Outlet, 1/4BSP-1/4 NPT-F		1
33.	Y30451224	Trigger and Pin Kit		1

* YKITG56 Kit, repair (includes parts listed above)



INSTRUCTIONS

This product is to be used with clean, fresh water. For use involving different or corrosive liquids, contact GP's customer service department. Appropriate filtration should be installed when using unclean liquids. Choose the gun that most closely matches the rated pressure, max flow and max temperature of the pressure wash system. In any case, the pressure of the machine should not exceed the permissible pressure rate imprinted on the gun.

INSTALLATION

This gun was designed to operate with hot water (in compliance with the technical specs), making sure not to exceed the max temperature. Always fit a safety valve to protect the system when the latter is under pressure. Choose a suitable nozzle and adjust the valve mounted in the front of the gun, thus obtaining a constant supply and avoiding unwanted pressure spikes. If the nozzle wears out, the pressure falls. When you install a new nozzle, adjust the system back to the original pressure.