

FEATURES

- Built-in Pressure Trapping Unloader and Injector
- Next Generation Packings for Exceptional Seal Life
- Solid White Ceramic Plungers
- Direct-Drive for Convenience and Durability
- Oversized Connecting Rods

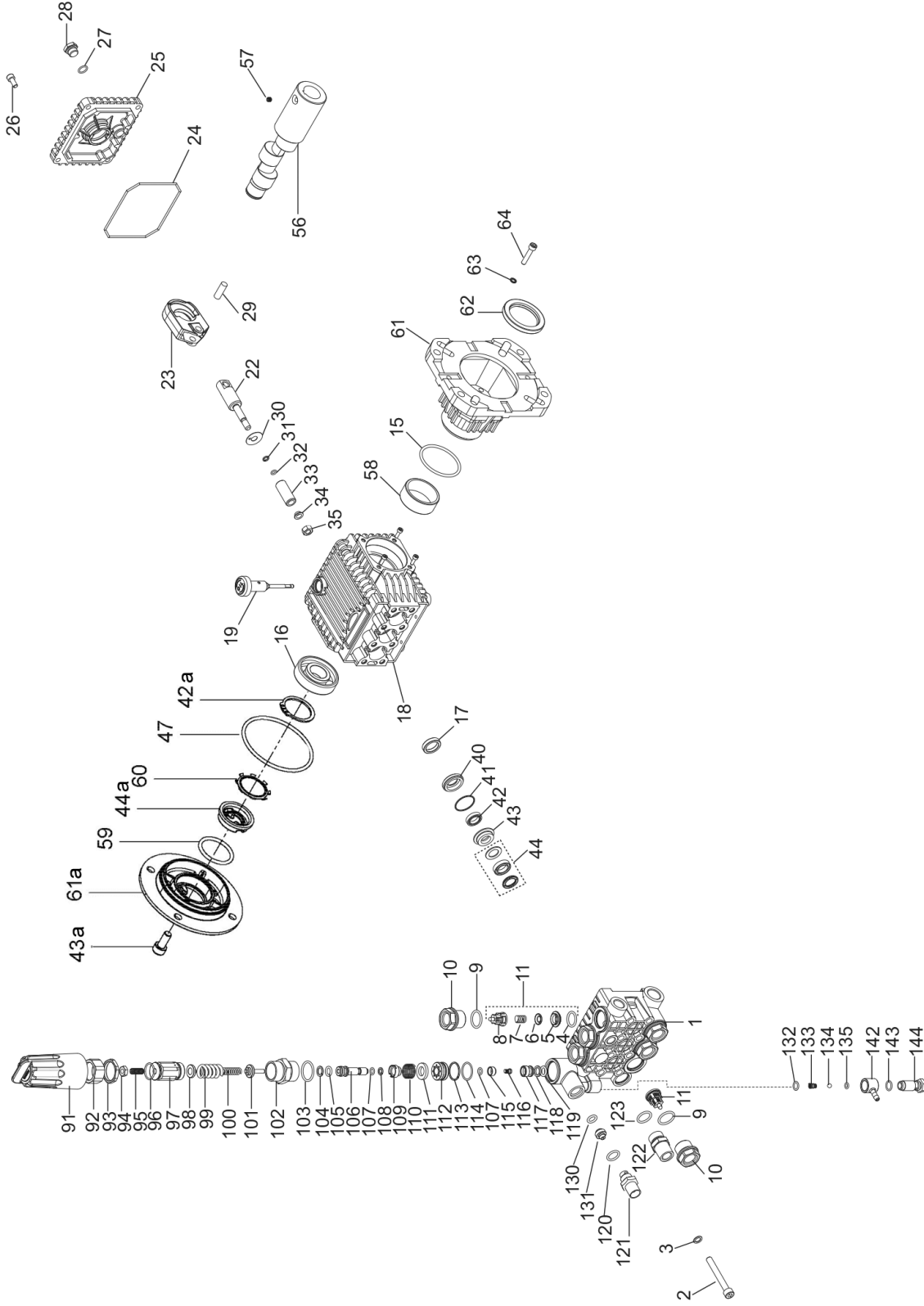
**SPECIFICATIONS***

Pump Model	TX1508G8UIA	TX1509G8UIA	TX1510G8UIA
Maximum Volume	3.0 GPM	3.5 GPM	4.0 GPM
Maximum Pressure	3500 PSI		
Maximum RPM	3400 RPM		
Maximum Inlet Pressure	125 PSI		
Minimum Inlet Pressure	3 ft (2.6 in Hg)		
Maximum Fluid Temperature	165° F		
Bore (in / mm)	.591 in / 15 mm		
Stroke (in / mm)	.315 in / 8mm	.355 in / 9 mm	.394 in / 10 mm
Oil Capacity	14.0 oz		
Inlet Port Thread	1/2"-NPT-M		
Discharge Port Thread	3/8"-NPT-M		
Shaft Diameter	1" - Hollow		
Motor Flange	J609-b		
Weight	18.2 lb		
Dimension-inches-Nominal	10.1 x 9.6 x 10.4		

*Dimensions and/or specifications subject to change without notice

TX Series 63 UI

Direct Drive Triplex Plunger Pump



PART LIST

Item	Part no.	Description	Qty	Item	Part no.	Description	Qty	Item	Part no.	Description	Qty
1	63120741	Manifold, 15 mm, LH, NPT	1	42	90260800	Seal, LP, 15mm	3	103	90385700	O-ring	1
2	99319200	Screw, M8 x 65	8	42a	90063500	Stop Ring Ø 25	1	104	90505200	Anti-Ext ring	1
3	96701400	Lockwasher, M8.4	8	43	63216070	Int. Ring, 15mm	3	105	90382000	O-ring	1
4	701115	O-ring	6	43a	99183700	Screw M6x14	3	106	36323470	Sleeve	1
5	36200366	Valve Seat	6	44	90261200	Packing Assy, 15mm	3	107	90357500	O-ring	2
6	36711501	Valve Plate	6	44a	53210851	Oil Level Indicator	1	108	90502500	Anti-Ext ring	1
7	94737600	Spring	6	47	90389800	O-ring Ø 56.82x2.62	1	109	36323070	Spacer	1
8	36202551	Valve Cage	6	56	63028065	Crankshaft, 8mm (1")	1	110	94748500	Spring	1
9	701002	O-ring	6	63028265	Crankshaft, 9mm (1")	1	111	36323151	Valve	1	
10	98222600	Valve Cap	6	63028465	Crankshaft, 10mm (1")	1	112	36322970	Valve guide	1	
11	36711501	Valve Assembly	6	57	99179000	Screw, M6 x 6	1	113	90360000	O-ring	1
16	91833100	Ball Bearing	1	58	91856800	Roller bearing	1	114	90514400	Anti-Ext ring	1
17	90159500	Oil Seal	3	59	90385900	O-ring Ø 25.07x2.62	1	115	36319066	Spherical valve	1
18	63010022	Crankcase	1	60	90067100	Stop Ring	1	116	99150900	Screw	1
19	98210300	Oil Dip Stick	1	61	10051822	Flange 1", gas engine	1	117	36316466	Seat	1
22	63050066	Plunger Guide	3	61a	58150122	Side Cover	1	118	701614	O-ring	1
23	63030022	Connecting Rod	3	62	90169000	Oil Seal	1	119	90506500	Anti-Ext ring	1
24	90392000	O-ring, Cover	1	63	96693800	Washer	4	120	90383200	O-ring	1
25	63160122	NEW Rear Crankcase Cover	1	64	99191200	Screw, M6 x 30	4	121	10065170	Nipple, Disch - 3/8"NPT-M	1
26	99183700	Screw, M6 x 14	4	91	36322151	Handle (Black)	1	122	36333370	Inlet Fitting	1
27	701013	O-ring	1	92	36318670	Locking sleeve	1	123	701115	O-ring	1
28	98204100	Plug, 1/4" G	1	93	92293500	Locking nut	1	130	701614	O-ring	1
29	97733500	Connecting Rod Pin	3	94	92221800	Nut	1	131	10007666	Nozzle 2.2mm	1
30	96707500	Flinger Washer	3	95	99305400	Set screw	1	132	701012	O-ring	1
31	660024	Anti-extrusion Ring	3	96	701019	O-ring	1	133	94821700	Conical spring	1
32	701009	O-ring	3	97	36318570	Regulator knob	1	134	97478200	Ball	1
33	52040009	Ceramic Plunger, 15mm	3	98	36316970	Spring seat	1	135	701501	O-ring	1
34	44211570	Bushing	3	99	94743800	Spring (3500 PSI)	1	142	36260451	Fixed Injector	1
35	92221600	Nut, M8	3	100	94734500	Spring	1	143	701013	O-ring	1
40	63080070	Seal Retn'r, 15mm	3	101	36323370	Stem	1	144	36256370	Banjo bolt, Injector	1
41	90360800	O-ring	3	102	36322870	Guide bushing	1				

* 53150001 Oil Level Indicator Assembled W/O Screws and O-ring

REPAIR KITS

TORQUE SPECS*

Kit No.	K123	K124	K159	K160	K162	K164	K166	K137	K235	K236	K237
Items in Kit	4 - 8 (11)	9, 10	17	42, 44	40	43	40 - 44	104 - 119	91 - 103	91 - 119	132 - 144
Pcs. in Kit	6	6	3	3	3	3	1	1	1	1	1

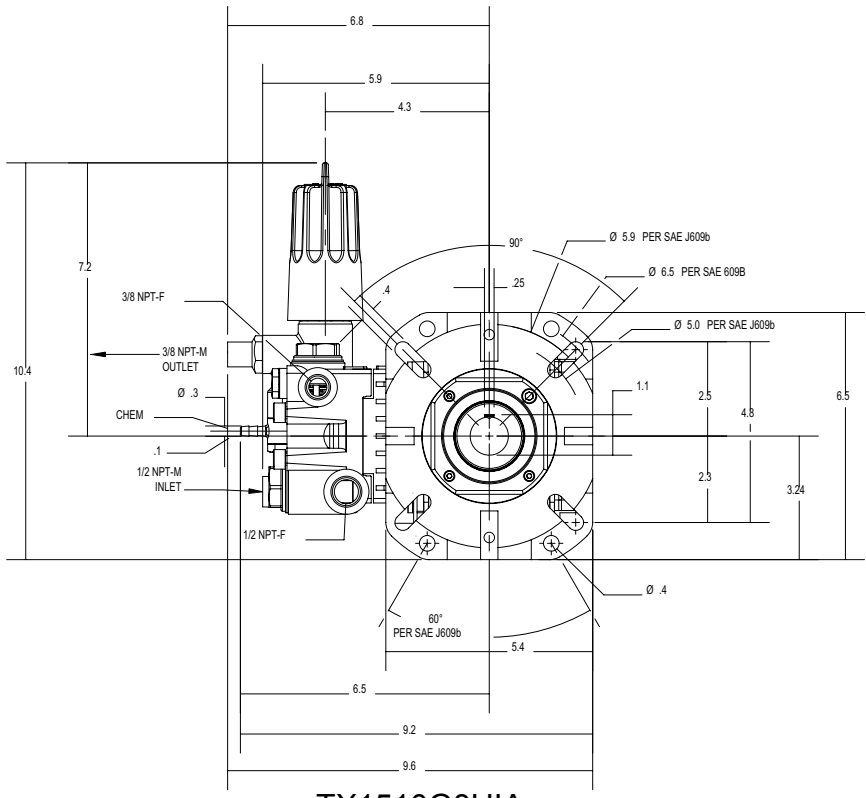
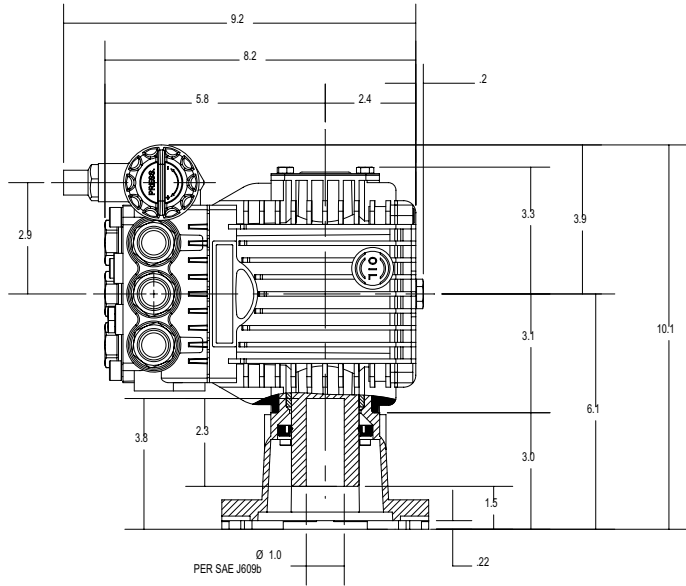
*Decrease torque by 20% if threads are lubricated.

Item	Ft/lb	N/m
2	14.7	20
10	95.9	130
12	7.3	10
26	7.3	10
28	14.7	20
35	11.0	15
64	7.3	10
121	29.5	40
122	29.5	40



DIMENSIONS* (INCHES)

J609b Models



TX1510G8UIA

