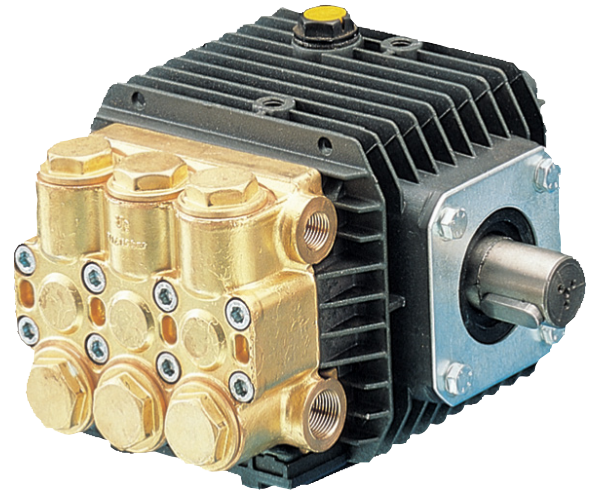


FEATURES

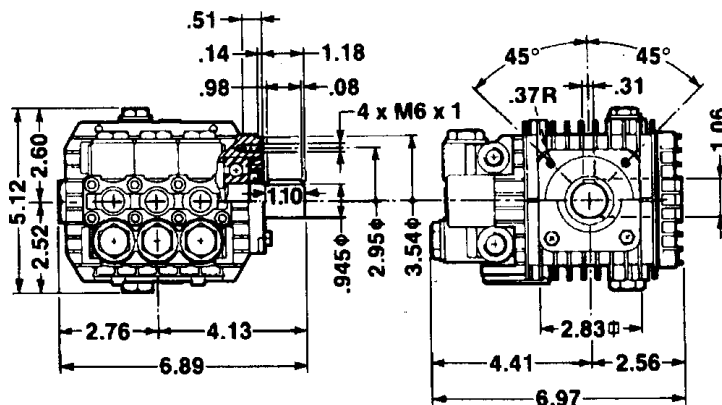
- Forged brass manifold with exclusive lifetime warranty
- Die-cast anodized aluminum, oil-bath crankcase
- Solid ceramic plungers with continuously lubricated packings
- The original Interpump unitized, stainless steel, K01 inlet and outlet valves
- Ideal for all general cleaning, RO and misting applications
- Comes standard with 24 mm solid shaft for pulley mount or direct drive with flex coupler and bell housing
- Also available in "L" left-handed versions



SPECIFICATIONS

Pump Model	TT901	TT931	TT941	TT951	TT9111
Maximum Volume	2.11 GPM	2.9 GPM	3.43 GPM	2.5 GPM	3.0 GPM
Maximum Discharge Pressure	1500 PSI				
Maximum Pump Speed	2800 RPM				1750 RPM
Maximum Inlet Pressure	125 PSI				
Minimum Inlet Pressure	3 ft. water (2.6 in. Hg)				
Plunger Bore (in / mm)	.591 / 15				.708 / 18
Plunger Stroke (in / mm)	.236 / 6	.315 / 8	.370 / 9.4	.283 / 7.2	.370 / 9.4
Oil Capacity	11.2 oz.				
Maximum Fluid Temperature	165° F				
Inlet Port Thread	3/8-19 BSP-F				
Discharge Port Thread	1/4-19 BSP-F				
Shaft Diameter	.945 in. / 24 mm				
Weight	11.2 lbs.				
Dimensions	7.0" x 6.9" x 5.1"				

DIMENSIONAL DRAWING

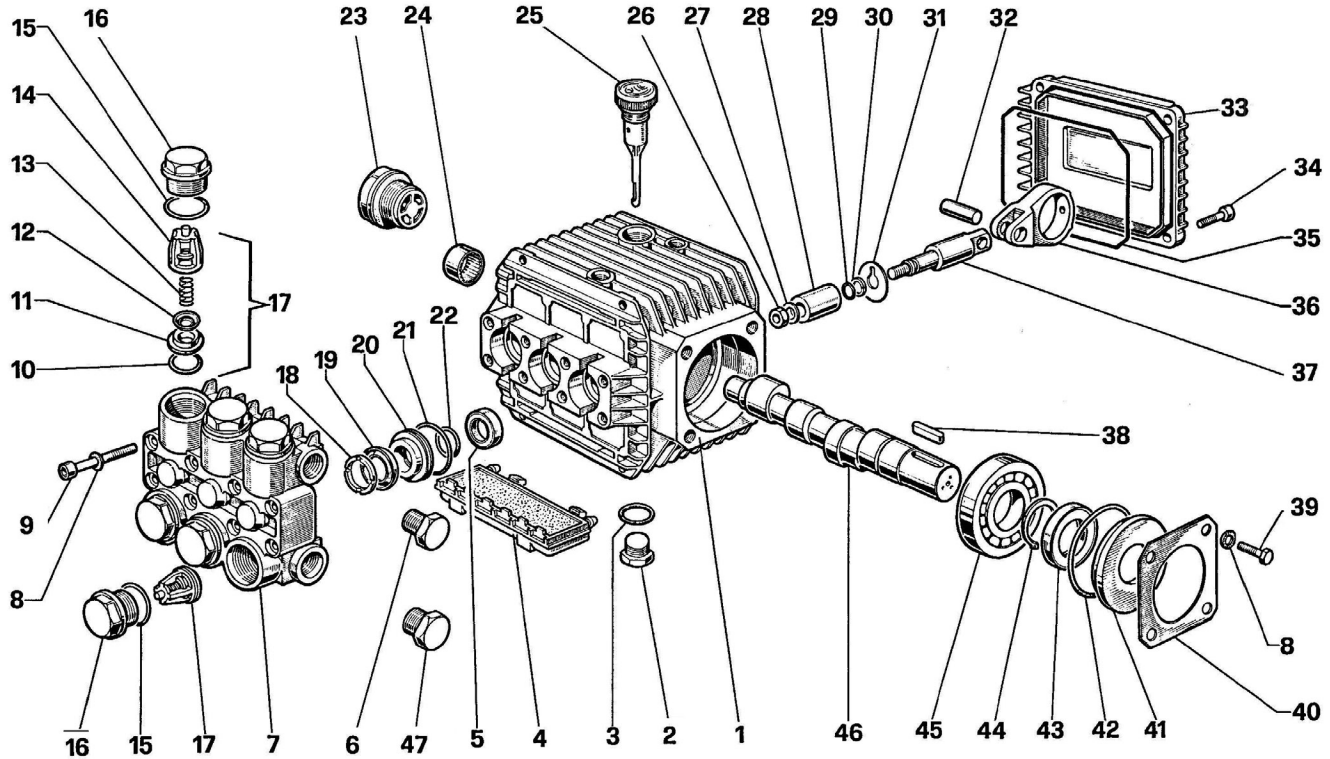


Ref 300296 Rev. F
09-18



TT Series 51, Solid

GENERAL PUMP *A member of the Interpump Group*



PARTS LIST

ITEM	PART NO.	DESCRIPTION	KIT NO.	QTY.	ITEM	PART NO.	DESCRIPTION	KIT NO.	QTY.	ITEM	PART NO.	DESCRIPTION	KIT NO.	QTY.	
1.	51010622	Crankcase	1	18.	51100051	Head Ring, 15 mm	3	32.	97731000	Connecting Rod Pin	3	33.	51160022	Crankcase Cover	1
2.	98210050	Plug, 3/8-BSP	1	19.	51100151	Head Ring, 18mm	3	34.	99186700	Screw, M6 x 18	4	35.	90391700	Gasket	1
3.	90383300	O-ring, Ø 13.95 x 2.62	2	20.	90262000	Packing	3	36.	51030022	Connecting Rod End	3	37.	51050056	Piston Guide	3
4.	51209151	Protector	1	21.	90268100	Packing, 18mm	3	38.	91487800	Key	1	39.	99180700	Screw, M6x10	4
5.	710002	Oil Seal	3	22.	51080070	Packing Retainer	3	40.	50150074	Side Bearing Cover	1	41.	50211551	Spacer	1
6.	98204100	Plug, 1/4 BSP	2	23.	90360400	O-ring	3	42.	90409700	O-ring, Ø55.56x3.53	1	43.	90163500	Rad. Ring, Ø25x42x7	1
7.	51120022	Manifold, Nick., 15mm	1	24.	90384300	O-ring, 18mm	3	44.	90063500	Circlip	1	45.	91832800	Bearing	1
	51120041	Manifold, Brass, 15mm	1	25.	97596800	Sight Gauge	1	46.	51020065	Crankshaft (TT901)	1		51021765	Crankshaft (TT951)	1
	51120441	Manifold, Brass, 18mm	1	26.	91801500	Needle Bearing	1		51020465	Crankshaft (TT941)	1		51020165	Crankshaft (TT931)	1
8.	203510	Washer, M6.4	8	27.	98210300	Oil Dip Stick	1		51020165	Crankshaft (TT931)	1	47.	98210000	Plug, 3/8 BSP	1
9.	99194300	Screw, M6 x 40	8	28.	92221600	Nut, M8	3		96707000	Washer, Flinger	3				
10.	701115	O-ring, Ø17.13x2.62	6	29.	44211570	Washer, M8	3								
11.	36200366	Valve Seat	6	30.	51040009	Plunger, 15 mm	3								
12.	36711501	Valve Plate	6	31.	51040109	Plunger, 18mm	3								
13.	94737600	Spring	6		90357300	O-ring	3								
14.	36200251	Valve Cage	6		660024	Back-up Ring	3								
15.	701002	O-ring	6		96707000	Washer, Flinger	3								
16.	98221800	Valve Cap	6												
17.	100381	Valve Assembly	6												

REPAIR KITS

KIT NO.	1	83	84	86 (15 mm)	96 (15mm)	97 (15mm)	139 (18mm)	140 (18mm)	141 (18mm)
ITEM NO's INCLUDED IN KIT	10, 11, 12, 13, 14 (17)	5	15, 16	20, 21, 22	18, 19, 20, 21, 22	18, 19, 21, 22	20, 21, 22	18, 19, 20, 21, 22	18, 19, 21, 22
NUMBER OF ASSEMBLIES IN KIT	6	3	6	3	1	3	3	1	3
NUMBER OF CYLINDERS KIT WILL SERVICE	3	3	3	3	1	3	3	1	3

TORQUE SPECS*

Position	Ft. Lbs.	Nm
2	29.5	40
6	14.8	20
9	8.9	12
16	44.3	60
23	8.9	12
26	14.8	20
34	7.4	10
39	7.4	10
47	29.5	40

* Decrease torque by 20% if threads are lubricated

GENERAL PUMP 1174 Northland Drive • Mendota Heights, MN 55120
Phone: 651.686.2199 • Fax: 800.535.1745 • e-mail: sales@gpcompanies.com • www.generalpump.com

Ref 300296 Rev. F
09-18

