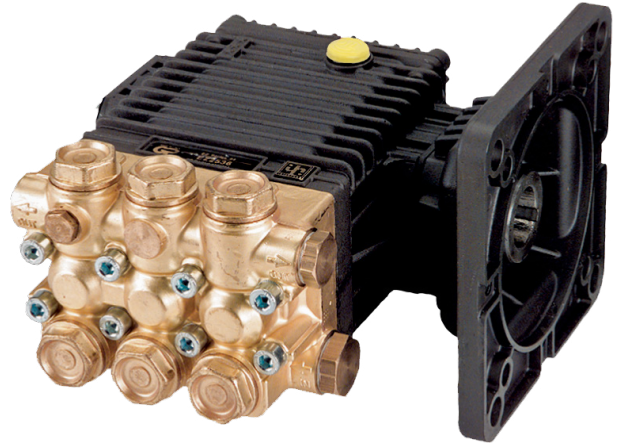


FEATURES

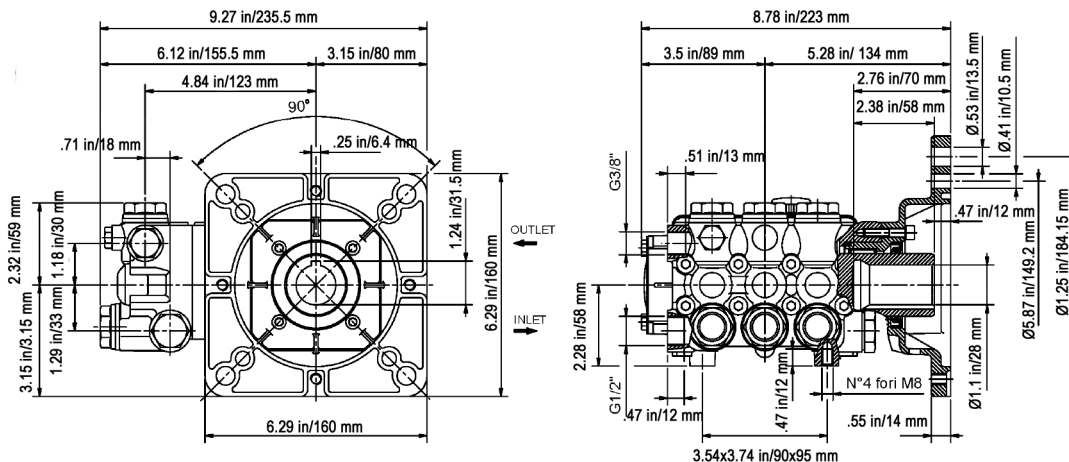
- Standard NEMA-184TC electric mounting flange
- Forged brass manifold with an exclusive lifetime warranty and 3:1 hydrostatic rating
- Die-cast, anodized aluminum oil-bath crankcase
- Innovative one-piece plunger design to eliminate water entering crankcase
- Premium roller bearing
- 5% reduction in crankcase load compared to standard 3,000 PSI, 15 mm pumps
- Unitized stainless steel inlet and discharge valves
- Available in “L” left-handed versions



SPECIFICATIONS

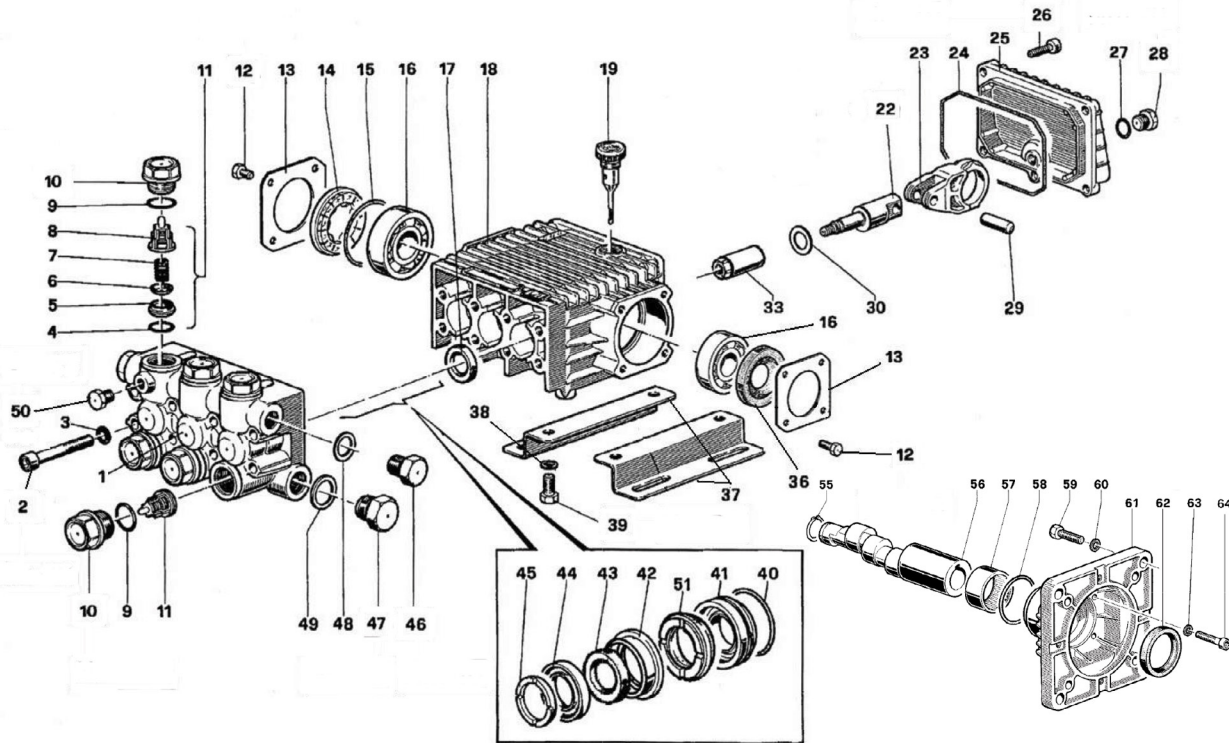
Pump Model	EZ4040E34	EZ4035E34
Maximum Volume	4.0 GPM	3.5 GPM
Maximum Discharge Pressure	4000 PSI	
Maximum Pump Speed	3400 RPM	
Maximum Inlet Pressure	125 PSI	
Maximum Inlet Vacuum	3 ft. water (2.6 in. Hg)	
Plunger Bore	.512 in. / 13 mm	
Plunger Stroke	.512 in. / 13 mm	.433 in. / 11 mm
Crankcase Oil Capacity	14.0 oz.	
Maximum Fluid Temperature	165° F	
Inlet Port Thread	1/2-14 BSP-F	
Discharge Port Thread	3/8-19 BSP-F	
Shaft Diameter	1.25 in/31.75 mm	
Weight	20 lbs.	
Dimensions	9.27" x 8.78" x 6.26"	

DIMENSIONAL DRAWING



EZ Series 44 - Triplex

GENERAL PUMP *A member of the Interpump Group*



PARTS LIST

ITEM	PART NO.	DESCRIPTION	QTY.	ITEM	PART NO.	DESCRIPTION	QTY.	ITEM	PART NO.	DESCRIPTION	QTY.
1.	44120841	Manifold	1	22.	44050166	Piston Guide	3	45.	44100251	Head Ring Ø13	3
2.	99317500	Screw	8	23.	44030022	Connecting Rod	3	46.	98210000	Cap Screw G 3/8"x13	1
3.	96701400	Washer Ø8.4x13x0.8	8	24.	90392000	O-ring Ø101.27x2.62	1	47.	98217600	Cap Screw G 1/2"x10	1
4.	701115	O-ring Ø17.3x2.62	6	25.	44160022	Rear Cover	1	48.	96738000	Washer Ø17.5x23x1.5	1
5.	36200366	Valve Seat	6	26.	99183700	Screw M6x14	5	49.	96751400	Washer Ø21.5x27x1.5	1
6.	36200176	Valve	6	27.	701013	O-ring	1	50.	98196700	Plug G 1/8"x8	1
7.	94737600	Spring	6	28.	98204250	Plug G 1/4"x9	1	51.	90260300	Seal, Low Pressure Ø13	1
8.	36202551	Valve Cage	6	29.	97734000	Pin Ø10x29.5	3	55.	90063500	Stop Ring Ø25	1
9.	701002	O-ring Ø 20.24x2.62	6	30.	96696700	Washer Ø7.1x28x0.5	3	56.	44021665	Crankshaft	1
10.	98222500	Cap Screw M24x1.5x7	6	33.	44040266	Plunger, 13 mm	3	57.	91856800	Roller Bearing	1
11.	36711501	Valve Assembly	6	36.	90164100	Oil Seal Ø25x62x10	1	58.	90409700	O-ring Ø 55.56x3.53	1
12.	99180700	Screw M6x10	8	37.	50200074	Rail	2	59.	99460000	Screw 1/2"-13x1-1/4"	4
13.	50150074	Side Cover	2	38.	96701600	Washer Ø8.4	4	60.	96719500	Washer Ø13x18x1.1	4
14.	44211801	Sight Glass	1	39.	99303700	Screw M8x16	4	61.	10050422	Electric Flange	1
15.	90409700	O-ring Ø55.56x3.5	1	40.	90361200	O-ring Ø31.47x1.78	3	62.	90169000	Oil Seal Ø45x62x8	1
16.	91833100	Ball Bearing	2	41.	44080370	Packing Retainer Ø13	3	63.	96693800	Washer Ø6.4x10x0.7	4
17.	90161400	Oil Seal	3	42.	52216270	Intermediate Ring Ø13	3	64.	99191200	Screw M6x30	4
18.	44010022	Crankcase	1	43.	90507600	Packing Ø13x17x2	3				
19.	98210300	Oil Dip Stick	1	44.	90260200	Packing Ø13	3				

REPAIR KITS

KIT NO.	K23	K123	K152	K153	K154	K155	K156	K158
ITEM NO's INCLUDED IN KIT	17	4, 5, 6, 7, 8, (11)	40, 41	43, 44, 51	42	45	40, 41, 42, 43, 44, 45 51	9, 10
NUMBER OF ASSEMBLIES IN KIT	3	6	6	3	3	6	3	6

TORQUE SPECS*

Pos.	Ft/lb	N-M
2	14.7	20
10	95.9	130
12	7.3	10
26	7.3	10
28	14.7	20
46	29.4	40
47	29.4	40
50	9.6	13
79	14.7	20
84	7.3	10

* Decrease torque by 20% if threads are lubricated

GENERAL PUMP 1174 Northland Drive • Mendota Heights, MN 55120
 Phone: 651.686.2199 • Fax: 800.535.1745 • e-mail: sales@gpcompanies.com • www.generalpump.com

Ref 310122 Rev. A
 05-18

